

GR Concealed Hinge

Features

- Stainless steel arm provides strength and superior corrosion resistance
- **GR-100** adopts a roller as guide pin, ensuring smooth movement even under high load
- Can be used for wooden doors and sheet metal doors

Notes

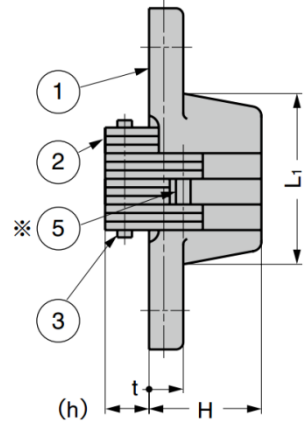
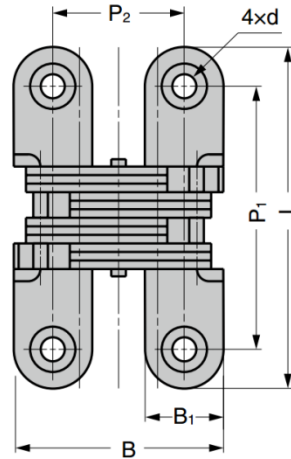
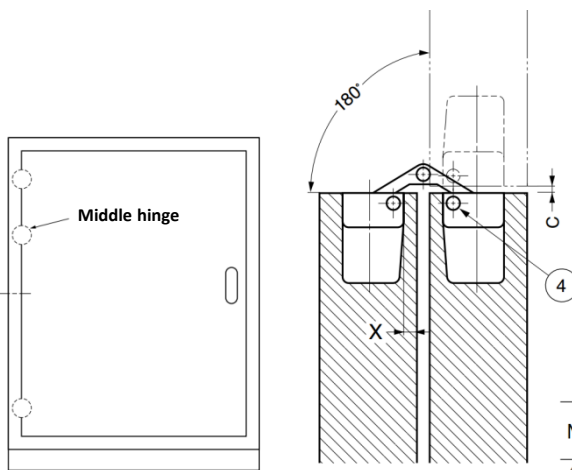
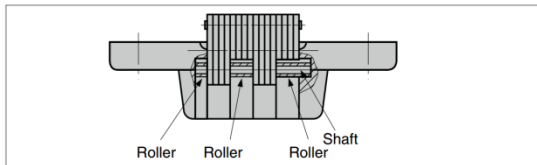
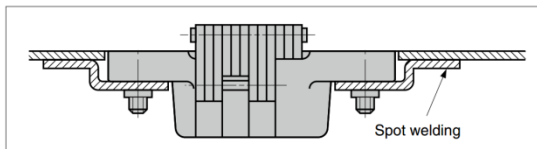
- Distance to door edge must be less than "X" mm
- Roller is supplied to **GR-100** only
- Recommended for use in pairs

Parts Included

- Countersunk head wood screw (SUS)
- Countersunk head tapping screw (SUS) (**GR-70** only)



Metal Door



Additional Notes

When hanging a door with 3 hinges, a large load is applied to the upper hinge, so the middle hinge is preferably set at about 1/2 of the distance from the midpoint of upper and lower hinges to the upper hinge

No.	Part Name	Material					Finish
		GR-43	GR-45	GR-60	GR-70	GR-100	
①	Body	Zinc Alloy					Satin Chrome
②	Arm	Stainless Steel (SUS304)					Plain
③	Shaft	Stainless Steel			Stainless Steel (SUS303)	Stainless Steel	
④	Shaft	Stainless Steel (SUS304)			Stainless Steel (SUS303)	Steel	
⑤	Shaft	Stainless Steel (SUS304)					Nickel
※	Roller (GR-100only)	-					

Part No.	L	L ₁	B	B ₁	P ₁	P ₂	H	h	T	D	C	X	Screw	No. of Arms	Door Width	Door Height	Door Weight	Opening Angle			
GR-43	43	22	29	11	32	18	13	5	5	∅3.5, ∅6.2	0.8	2.3	3.1 x 16	12	Max. 450	Max. 700	Max. 4 kg / 2 pcs	180°			
GR-45	45	19	35.7	13		22.7	18.5	6		∅3.5, ∅7		3	3.1 x 20						8		
GR-60	60	33	35.2	47	22.2	6.5	6.5	∅4.3, ∅8.3	1	3.5 x 20	12										
GR-70	70	35	42.6	16.1	53	26.6	23	7.3	7	∅4.6, ∅9.1	1.2	3.5	4 x 25	16						Max. 7 kg / 2 pcs	
GR-100	100	52	53.2	20	80	33.2	27.5	9.5	9.5	∅5.3, ∅10	1.8	4.8	4.5 x 32								